

Cirio Simple

Antoni Arola. 2010
Pendant lamps



Porcelain



Glass



Brass



Cirio Simple comprises a canopy from which a capsule containing the LED light source hangs. It is a design that highlights room corners with utmost efficiency.

The shade, beautifully designed, is reminiscent of a candle for its shape, texture and the warmth of its light. The varying shades combined with LED capsules can be used to create different atmospheres: from the porcelain of Sargadelos (Galicia, Spain) that creates candle-like warmth, to translucent opal glass, and the opaque elegance of brass.

Cirio is a system that provides customisable solutions for vertical lighting by combining structures, shades and light textures. The pendant lamp can be used alone or arranged in rows or clusters to illuminate larger areas, in forms such as the Chandelier, Cascada, Circular, Lineal, Oval or Múltiple. A perfect combination of repeated elements. The fusion of technology and tradition; innovation through craftsmanship. A truly unique lighting experience.

General description:

Capsule with LED module, translucent white diffuser and heat sink with black matte finish.

3 lampshade options: white porcelain, white opal glass and polished brass.

5 metal circular canopy options with power supply incorporated:

Not dimmable (CE Market): white recessed or white or black surface-mounted canopy with matte finish.

Dimmable: white or black surface-mounted ceiling plate with matte finish.

S&C LED capsule suitable with HeadLed System lampshades.

Suitable for Junction Box (UL market).

Electric cable length: 3 m / 118.1" - 8 m / 315"

Approximate weight (unpacked):

Porcelain lampshade: 1,1 Kg / 2.4 lb

Lampshades:

Porcelain: 0,5 kg / 1.1 lb

Glass: 0,6 kg / 1.3 lb

Brass: 0,3 Kg / 0.7 lb

Cirio Simple

Antoni Arola. 2010
Pendant lamps

Technical information:

Light source included:
LED module

Not dimmable (CE Market):
Rated input wattage: 3,7 W
Operating current: 350 mA
Luminous flux:
Porcelain: 122 lm
Glass: 416 lm
Brass: 131 lm

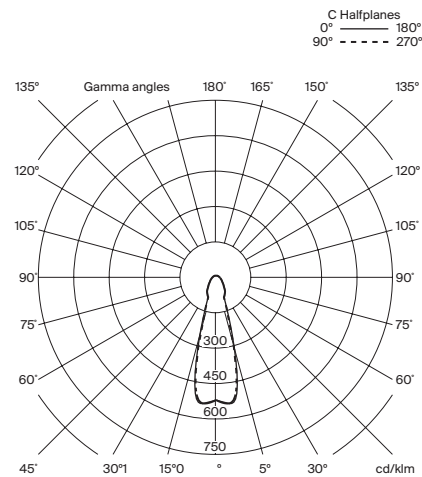
Dimmable:
Rated input wattage: 7,7 W
Operating current: 700 mA
Luminous flux:
Porcelain: 222 lm
Glass: 655 lm
Brass: 237 lm

Colour Temp.: 2.700 K
CRI: 90
Lifetime: 40.000 h

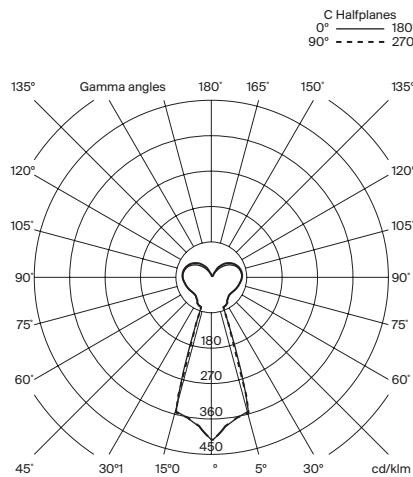
Built-in LED.
Suitable for dimming 1-10V. (Not included external dimmer switch 1-10V).
Energy efficiency class (E.E.C): A+...A.
Suitable only for indoor use.

Input voltage: 90 ~ 305 Vac.
(50 Hz / 60 Hz). According to destination.

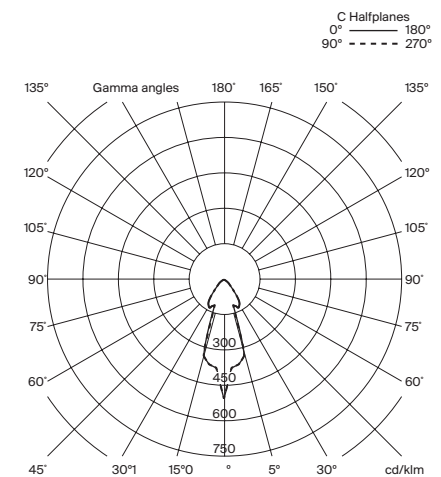
White porcelain lampshade



White opal glass lampshade



Brass lampshade



Regulations:

CE
UNE-EN 60598
UNE-EN 55015
UNE-EN 60529
UNE-EN 62031
UNE-EN 61000-3-2
UNE-EN 61347-2-13

UL
Dry and damp location
UL-1598
UL-8750
E-336377

Maintenance:

Clean with a smooth cloth. Do not use ammonia, solvents or abrasive cleaning products.

Others:

The lamp is delivered in different packages.
The assembly instructions are delivered with the product.

Model:

Canopies

Surface

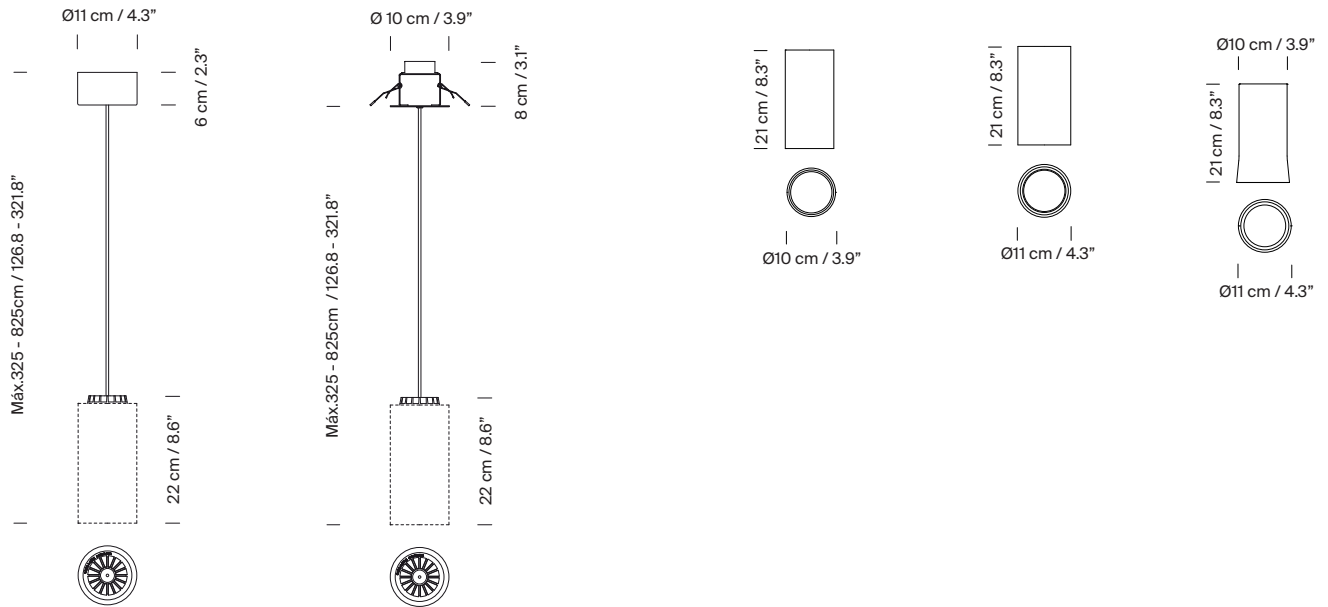
Built-in (CE market)

Lampshades

White porcelain

White opal glass

Brass



Collection:
 Pendant lamps



Cirio Simple



Cirio Múltiple



Cirio Cascada



Cirio Circular



Cirio Lineal



Cirio Chandelier

Wall lamps



Cirio